



Warranty:

Instead of the usual 2-year guarantee, we guarantee this device for 5 years from the date of delivery from our factory (this excludes consumables such as bulbs, tips and batteries). We guarantee the proper function of the unit provided it is used as intended by the manufacturer and according to the instructions for use. Any faults or defects which occur during the guarantee period will be repaired free of charge provided they are caused by faults in material, design or workmanship. In the case of a complaint of a defect in the product during the guarantee period, the buyer must prove that any such defect was present at the time the product was delivered. The usual legal guarantee and warranty do not apply to incorrect use, the use of non-original HEINE parts or accessories. (Especially bulbs, as these are designed with emphasis on the following criteria: Color temperature, life expectancy, safety, optical quality and performance.) Also excluded are repairs or modifications made by persons not authorised by HEINE or cases where the customer does not follow the instructions supplied with the product. Any modification of a HEINE product with parts or additional parts which do not conform to the original HEINE specification will invalidate the warranty for the correct function of the product and further invalidate any warranty claims which result from such a change or modification. Further claims, in particular claims for damage not directly related to the HEINE product, are excluded.

For **repairs**, please contact your supplier, who will return the goods to us or our authorized agent.

Bought at _____

Date _____

ENGLISH

Instructions for use

Read these instructions carefully before using the HEINE mini 3000® and keep them in a safe place for future reference.

In accordance with local regulations this product should be disposed of as an electronic device separately.

Applied Part BF

Do not open the instrument / battery handle in the vicinity of the patient

1. HEINE mini 3000® Battery Handle

Range of applications:
The HEINE mini 3000® battery handle should only be used for operation to power HEINE mini 3000® instruments.

Batteries:

- 2 alkaline cells (AA/ LR 6)
- Important: Do not use alkali manganese batteries with lithium as bulb life will be reduced.
- The HEINE mini 3000® battery handle can be charged in the HEINE mini NT with the HEINE mini 2Z rechargeable battery 2,5V.

Charging time:

- The mini NT indicates when the rechargeable battery is fully-charged. The illuminated ring is lit continuously.
 - mini 2Z rechargeable battery (2,5V, NiMH) = ca. 4h (730mAh)

Instrument connector:

Internal thread in handle head (1).

Switching on:

Push switch (2) down.

Switching off:

Push switch up. If the handle is put back firmly into a coat pocket the handle is automatically switched off.

Changing the batteries:

Unscrew the end-cap (3) and shake out the old batteries / rechargeable battery. Insert new batteries / rechargeable battery with the plus contact facing the handle head.

Cleaning:

The handle can be cleaned with a damp cloth (e.g. alkaline or pH- neutrale detergent). For cleaning disinfection of the outer surface we recommend the so called **wipe disinfection** by using detergents, which are released for Medical Devices made out of **plastic**. Disinfection by spraying or immersion as well as sterilisation is not allowed.

2. HEINE mini 3000® Ophthalmoscope

Range of applications:

The HEINE mini 3000® ophthalmoscope is designed for examination of the eye. During examination, hold the instrument with your index finger on the lens wheel (1). You can also operate the aperture wheel (3) in this way. Window (2) shows the selected lens value. Minus lenses are shown red, plus lenses black.

Changing the bulb:

Unscrew the instrument from the handle and pull the bulb (4) downwards. Wipe the new bulb glass clean and insert it so that the locating pin (5) fits the slit.

Cleaning:

The housing can be wiped clean with a cloth moistened with alcohol. Glass surfaces can be cleaned with a cotton wool bud in the same way.

3. HEINE mini 3000® Focalux hand lamp

Range of applications:

The HEINE mini 3000® Focalux hand lamp is designed for illuminating the oral cavity, the throat, nose, skin surface and for examining the anterior segment of the eye. When combined with an ophthalmoscopy lens it can be used for indirect ophthalmoscopy.

Method of operation:

Attach the instrument to a handle. Switch on the illumination and direct the light emerging from the prism (7) onto a white surface. Using the slide (1) you can adjust the focusing of the light from parallel (slide at bottom) to convergent rays.

Use of magnifying lens +3D:

The lens is mounted on the cylindrical part (8) of the hand lamp. Ensure that the shoulder (5) of the lens ring (6) is pointing upward. The lens enables the presbyopic examiner to carry out examinations in comfort and produces a magnified fundus image. Always position the lens at the center of the hand lamp.

Changing bulbs:

Please note: The performance of this instrument can only be guaranteed if genuine HEINE bulbs are used.

Remove the instrument from the handle. Grip the collar (4) of the bulb between your thumb and index finger nails and remove the bulb by pulling it downward. Wipe the dome of the new bulb on a clean cloth and then insert it so that the adjusting pin (4) fits into the recess (2).

Cleaning:

The instrument can be wiped with a cloth dipped in alcohol. Use a cotton wool bud with alcohol for the glass surfaces.

4. HEINE mini 3000® tongue-blade holder

Range of applications:

The HEINE mini 3000® tongue-blade holder should only be used to illuminate the oral cavity and throat.

Fitting and ejecting the tongue-blade:

Push the HEINE disposable tongue-blade into the holder (3) until it clicks in. Press the trigger (4) to eject.

Changing the bulb:

Unscrew the cover (1) and pull out the bulb (2). Insert a new bulb and screw in the cover again.

Cleaning:

Wipe clean with cleaning or disinfectant solution. Do not soak or autoclave.

5. HEINE mini 3000® otoscope HEINE mini 3000® F.O. otoscope

Range of applications:

The HEINE mini 3000® otoscopes should only be used to examine the external ear and for general non-invasive examination.

Safety in use:

The otoscope should only be used to examine the ear when a tip is fitted. The contact time (skin) has to be limited to max. 1 minute. Pressure should be applied with great care when doing pneumatic testing.

Use:

Attaching a tip:

The otoscope may only be inserted into the auditory canal when a disposable (grey) or reusable (black) tip is fitted. Push the tip onto the instrument so that the internal projection engages in the slit (1). Twist to the right to lock.

Magnifying lens:

The lens (2) magnifies ca. 3x and can be swivelled aside for instrumentation.

Insufflation port:

An insufflation bulb can be fitted to the port.

General illumination:

The otoscope can be used with or without a tip for general illumination of e.g. the oral cavity or skin. Avoid contact with sensitive or damaged skin.

Changing the bulb:

Swivel the lens (2) to one side and simply pull the bulb (3) backwards out of the head.

Push in a new bulb.

With the **HEINE mini 3000® F.O. otoscope**, first unscrew the head from the handle and pull the bulb (3) downwards. Push in the new bulb.

Cleaning and Sterilization:

Otoscope head: Clean the outside with a soft cloth, inside with a cotton wool bud, if necessary soaked in alcohol. Gas sterilization is permitted. Do not soak.

Reusable SANALON S tips: These can be cleaned, disinfected and sterilized or boiled by any conventional method. Autoclaving is permitted.

AllSpec-Tips: Are for single use only. Do not attempt to clean them as the tip may be damaged and could injure the patient.

6. HEINE mini 3000® Cliplamp

Range of applications:

The HEINE mini 3000® Cliplamp is designed solely for the examination of the surface of the skin.

Cleaning:

The Cliplamp can be cleaned with a damp cloth (e. g. alkaline or pH-neutral detergent).

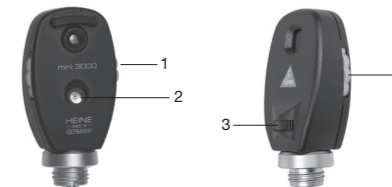
For cleaning disinfection of the outer surface we recommend the so-called **wipe disinfection** by using detergents, which are released for Medical Devices made out of plastic. Disinfection by spraying or immersion as well as sterilisation is not allowed.

Please note:

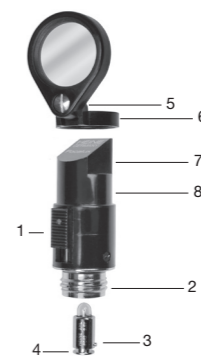
The performance of this instruments can only be guaranteed if genuine HEINE bulbs, HEINE rechargeable batteries or alkali manganese batteries are used.



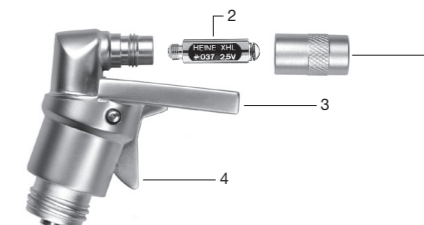
1. HEINE mini 3000® Battery Handle



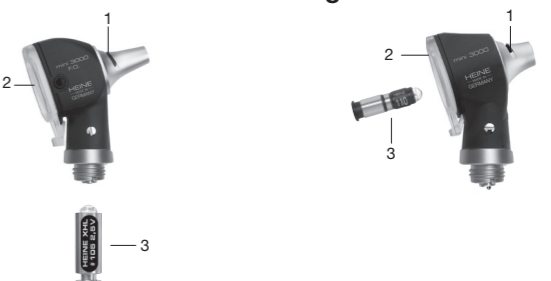
2. HEINE mini 3000® Ophthalmoscope



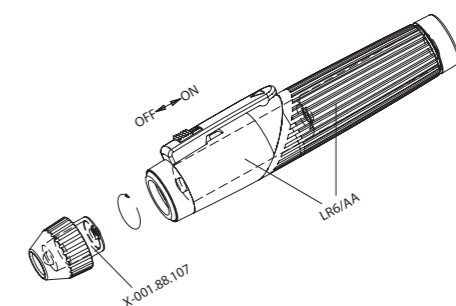
3. HEINE mini 3000® Focalux hand lamp



4. HEINE mini 3000® tongue-blade holder



5. HEINE mini 3000® F.O. otoscope HEINE mini 3000® otoscope



6. HEINE mini 3000® Cliplamp